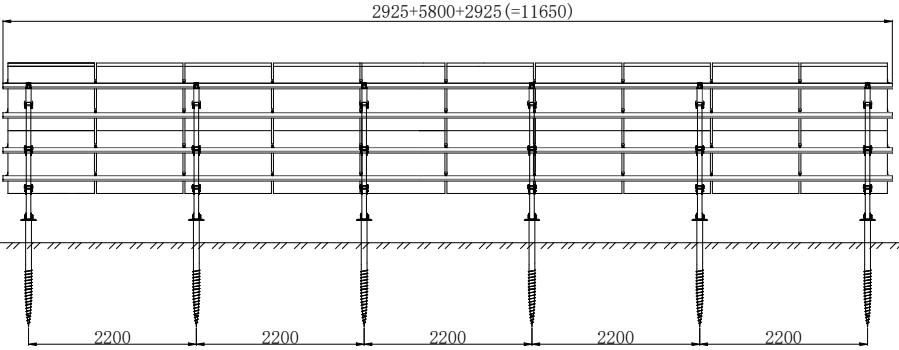
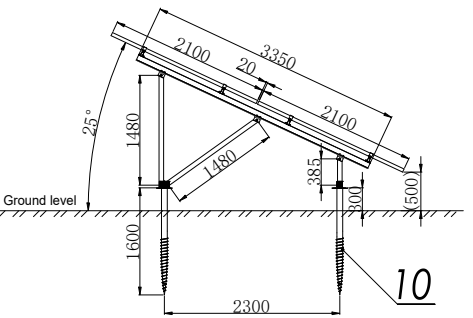
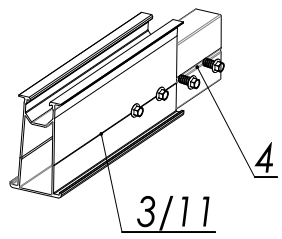
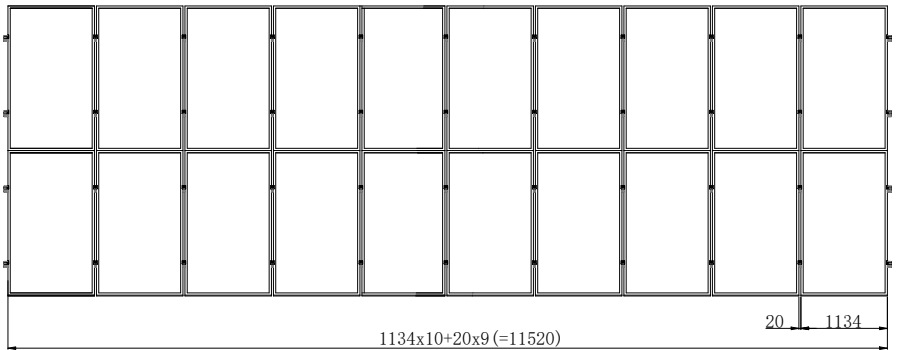
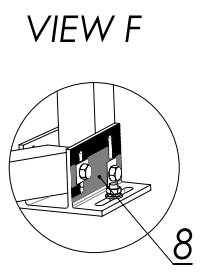
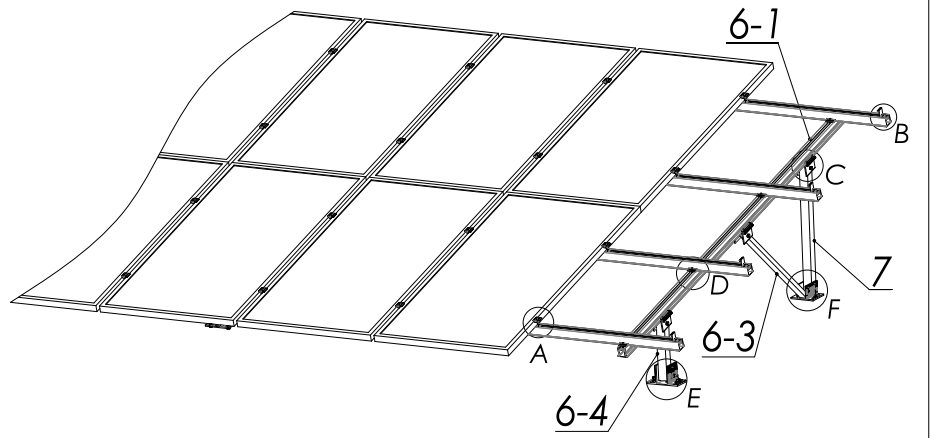
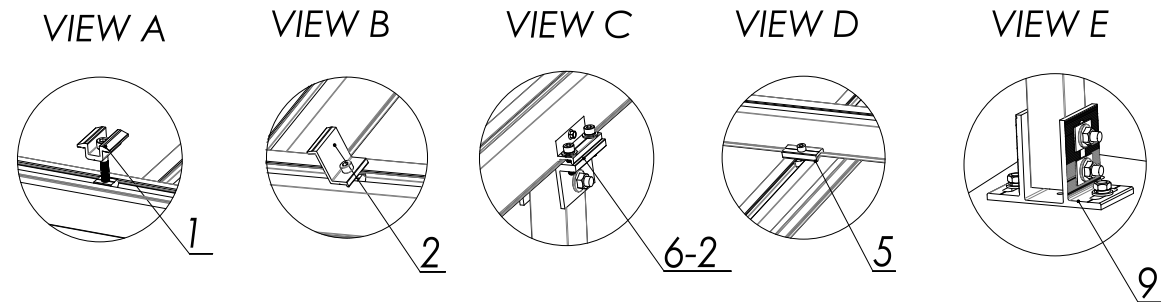


This document contains information that is confidential and proprietary to CORIGY, that will not be copied or reprinted or delivered



| 11 | CP-RM-2925 | CP-Rack, Series M | L=2925 | 8 | |
|-----|------------------|---------------------------|-------------|-----|-----|
| 10 | CP-GSF-1600 | Ground screw | L=1600 | 12 | |
| 9 | CP-KC-LC-01 | CP-KC Leg Caps 01 | | 6 | |
| 8 | CP-KC-LC | CP-KC Leg Caps | | 6 | |
| 7 | CP-KC-RL-1480 | CP-KC Rear Leg-01 | L=1480 | 6 | |
| 6-4 | CP-KC-FL-385 | CP-KC Front Leg-01 | L=385 | 6 | |
| 6-3 | CP-KC-LEP-1480 | CP-KC Enforcement Pipe | L=1480 | 6 | |
| 6-2 | CP-KC-TCL | CP-KC Top Cap for Legs | | 18 | |
| 6-1 | CP-RK-3350 | CP-Rack, Series K 01 | L=3350 | 6 | |
| 6 | CP-KC-PAF-335025 | CP-KC Pre-assembled Frame | | 6 | |
| 5 | CP-RCD | Rail Splice, Series D | | 48 | |
| 4 | CP-RS-M-01 | Rail Splice M 01 | | 8 | |
| 3 | CP-RM-5800 | CP-Rack, Series M | L=5800 | 4 | |
| 2 | CP-EC-35 | Standard End Clamp | | 8 | |
| 1 | CP-IC-35 | Standard Middle Clamp | | 36 | |
| No. | Part NO. | Item | Description | QTY | U/N |

| | | | | | |
|----------------|-------------|---------|---------------------|---|---------------|
| | | | Installation Site | Unless other specified, the main dimension unit is mm | |
| | | | Wind Load | 34 m/s | Drawn by/Date |
| | | | Snow Load | 0.9KN/m | Checked/Date |
| | | | Angle | 25° | QA./Date |
| VER. | Change Mark | DCN NO. | Panel | 2100x1134x35 | Standard/Date |
| Change History | | | Project information | | |
| | | | Approved/Date | | |

CORIGY 科锐欧(厦门)新能源科技有限公司
 Create Re-Energy xiamen corigy new energy technology CO.,LTD.
 TEL: +86-592-6883200 E-mail: sales@corigy.com

| | | | |
|--------------|---|-------------|----------------|
| Model Layout | 2x10 | Drawing NO. | CP-02181317-01 |
| Project | CP-KC All aluminum system Ground Solar Project | DATE | 2026-02-10 |

中望CAD教育版设计

中望CAD教育版设计

A

A